

# PM BAS E6 C

## PRISM Tap Range Prism Basin Mixer Eco6 with Pop-up Waste Chrome



### Features:

- Supplied with Pop-up waste
- Supplied with metal handle
- Product supplied with either a 4 or 6 litre per minute flow regulator which can be fitted to the spout outlet to reduce water consumption and increase water efficiency (Flow Regulator accurate +/- 10%)

### Product Certifications:



6 l/min

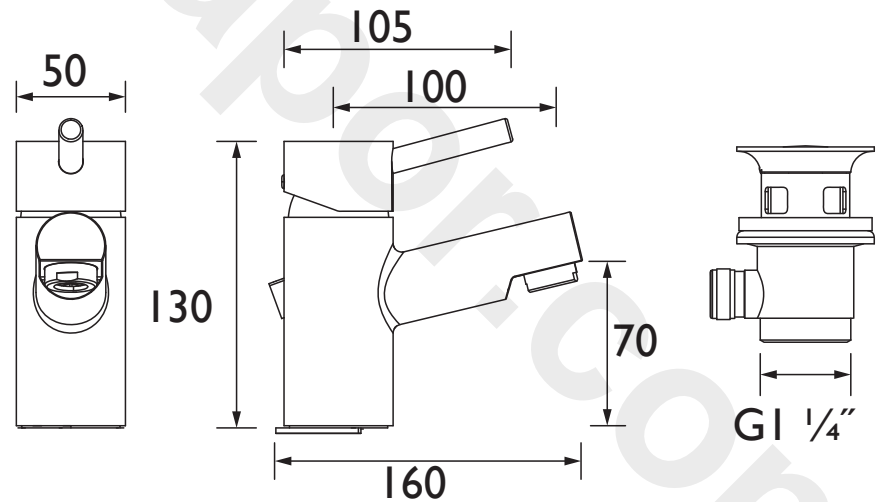
For more products, visit our website:  
<http://www.bristan.com>



### Specification

<b>Product Type:</b>	Taps
<b>Main Construction Material:</b>	Brass
<b>Mount Type:</b>	Deck
<b>Handle Type:</b>	Lever
<b>Connection Inlet:</b>	M10 x 265mm Copper Tail
<b>Connection Outlet:</b>	M24 Flow Straightener
<b>Number of Tap Holes:</b>	1
<b>Valve/Cartridge Type:</b>	40mm Ceramic Disc Valve
<b>Plumbing System Requirements:</b>	Suitable for all plumbing systems
<b>Minimum Dynamic Pressure (bar):</b>	0.2 bar
<b>Maximum Dynamic Pressure (bar):</b>	5.0 bar
<b>Maximum Hot Water Temperature °C:</b>	65°C
<b>Maximum Static Pressure (bar):</b>	10 bar
<b>Flow Type:</b>	Single
<b>Isolation Included:</b>	No

### Dimensions (measurements in mm)



### Flow Rates (l/min)

System Pressure (bar)	0.2	0.5	1	2	3	5
PM BAS E6 C (mixed)	6	6	6	6	6	6

## TECHNICAL DATA SHEET



# BRISTAN

D4